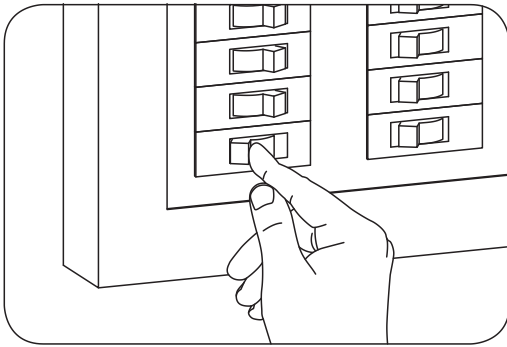
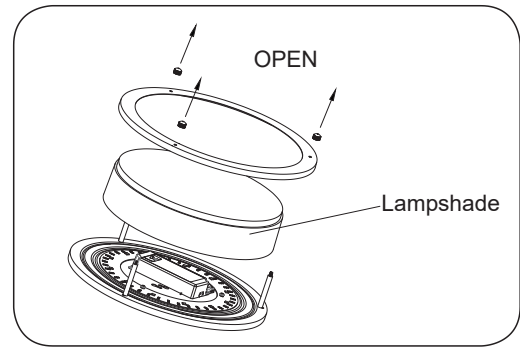


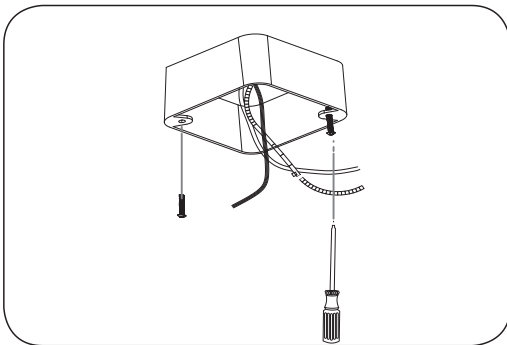
# INSTALLATION FOR LED CEILING LIGHT



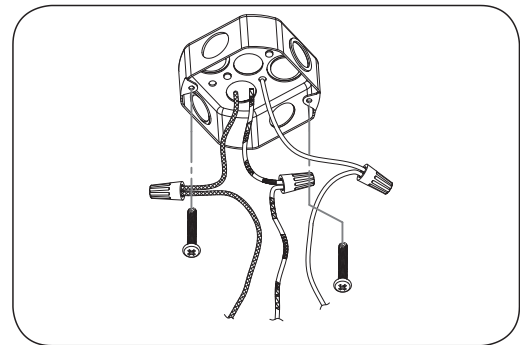
① For safety, turn off main power prior to installation.



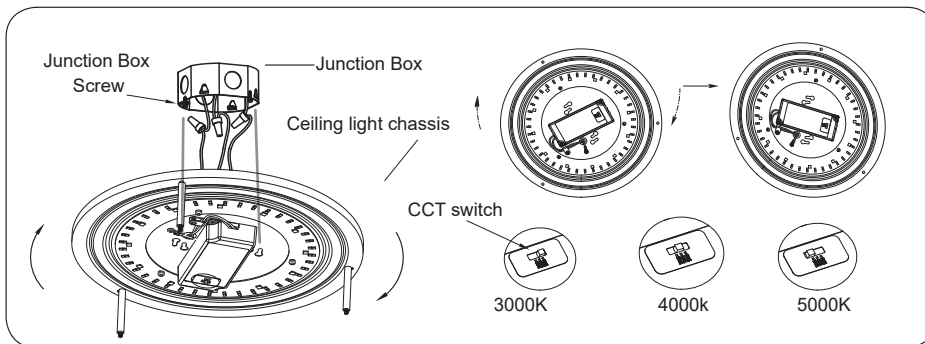
② To open the light, turn the lampshade to a certain angle (counterclockwise).



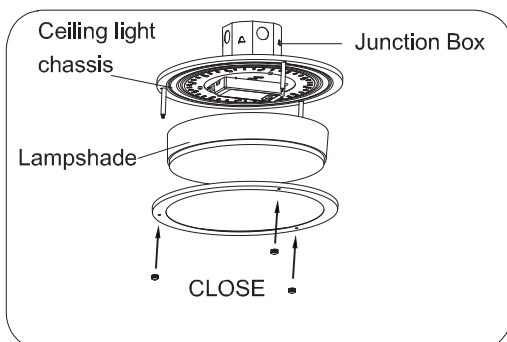
③ Drive the screws into the junction box, with 2/3 inside and 1/3 outside.



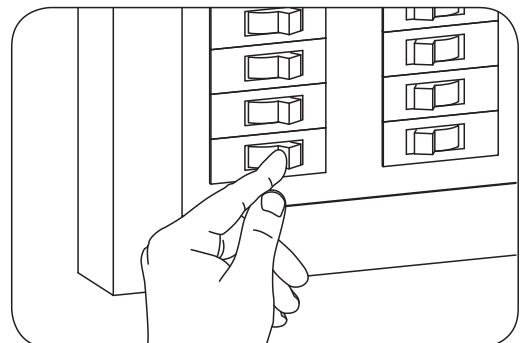
④ Connect the three input lines (Black is L, white is N, blue and yellow is ground line) of the lamp with the output lines of the junction box.



⑤ First, align the ceiling light chassis with junction box screw, Screw it into the junction box by hand as the direction shown in the figure (counterclockwise), then use a screwdriver to fasten the junction box screw.



⑥ Check the four mounting points in the chassis and the four small gaps in the lampshade. Match them up and down, then turn clockwise to the right place.



⑦ Restore main power to make sure the light is well installed.